

## Quick Print-n-Fit Kit

### Reduced Fan Base Style

Duct Width (A) \_\_\_\_\_

Fan Base (B) \_\_\_\_\_

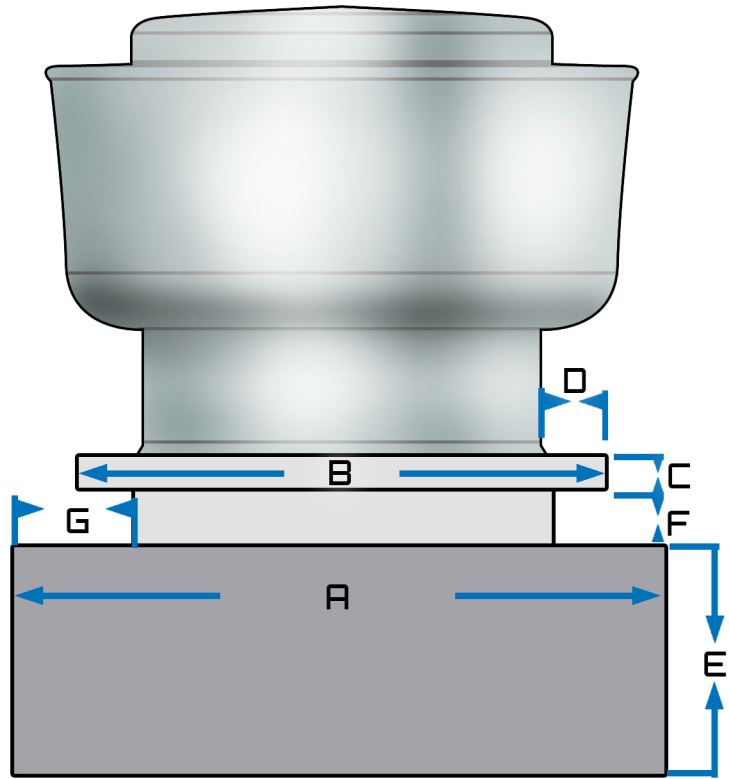
Fan Base Height (C) \_\_\_\_\_

Edge of Fan Base to Fan Housing (D) \_\_\_\_\_

Height of Duct (E) \_\_\_\_\_

Lip Height (F) \_\_\_\_\_

Lip Width (G) \_\_\_\_\_



Please complete form and email or fax with your order to ensure an accurate quote and product delivery

Customer Name \_\_\_\_\_

Location Address \_\_\_\_\_

Phone Number \_\_\_\_\_

Email Address \_\_\_\_\_

sales@omnicontainment.com  
**1-800-898-4655**  
 6905 Black River Rd, Sutton, ON

Try Our Other Great Grease Containment Products,

