

Quick Print-n-Fit Kit

**Tapered
Duct Style**

Duct Width (A) _____

Fan Base (B) _____

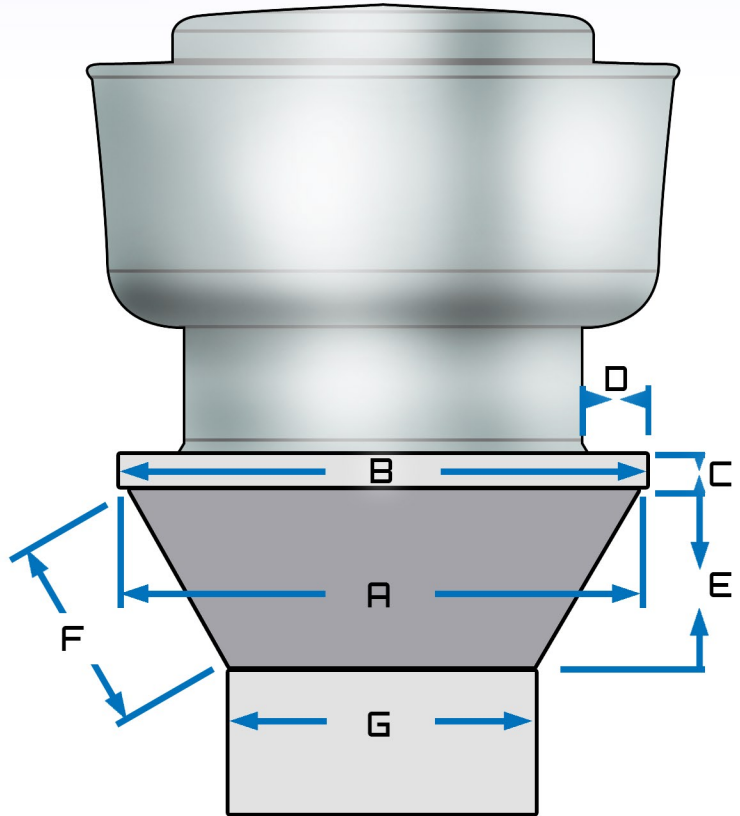
Fan Base Height (C) _____

Edge of Fan Base
to Fan Housing (D) _____

Height of Duct (E) _____

Taper Length (F) _____

Duct Width
Lower Dimension (G) _____



Please complete form and email or fax with your order to ensure an accurate quote and product delivery

Customer Name _____

Location Address _____

Phone Number _____

Email Address _____

F: 847-931-3654 • sales@omnicontainment.com
1501 Commerce Drive, Elgin IL 60123

Try Our Other Great Grease Containment Products,

