

**Quick Print-n-Fit Kit**

**Typical Fan Style**

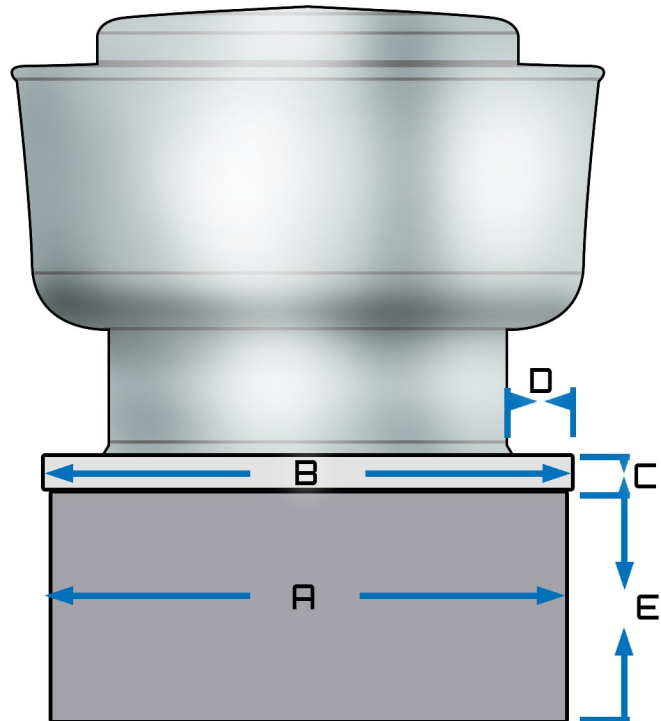
Duct Width (A) \_\_\_\_\_

Fan Base (B) \_\_\_\_\_

Fan Base Height (C) \_\_\_\_\_

Edge of Fan Base to Fan Housing (D) \_\_\_\_\_

Height of Duct (E) \_\_\_\_\_



Please complete form and email or fax with your order to ensure an accurate quote and product delivery

Customer Name \_\_\_\_\_

Location Address \_\_\_\_\_

Phone Number \_\_\_\_\_

Email Address \_\_\_\_\_

**F: 847-931-3654 • sales@omnicontainment.com**

1501 Commerce Drive, Elgin IL 60123

Try Our Other Great Grease Containment Products,

